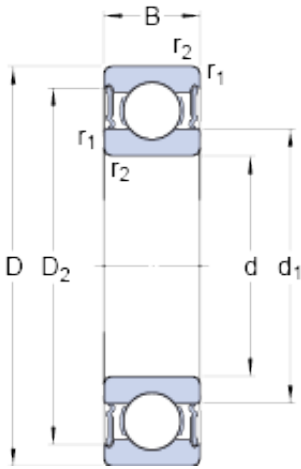




Shanghai Ruonan-Power Co., Ltd.



30 mm x 47 mm x 9 mm SKF W 61906-2RS1 deep groove ball bearings

Bearing No. W 61906-2RS1

W 61906-2RS1 Bearing 2D drawings and 3D CAD models

Size	47x30x9 mm
Bore Diameter	47 mm
Outer Diameter	30 mm
Width	9 mm
d	30 mm
D	47 mm
B	9 mm
d ₁	35.1 mm
D ₂	44.05 mm
r _{1,2} - min.	0.3 mm
d _a - min.	32 mm
d _a - max.	35 mm
D _a - max.	45 mm
r _a - max.	0.3 mm
Basic dynamic load rating - C	6.2 kN
Basic static load rating - C ₀	5 kN
Fatigue load limit - P _u	0.212 kN
Limiting speed	8500 r/min
Calculation factor - k _r	0.025
Calculation factor - f ₀	15.8
Category	Single Row Ball Bearings
Inventory	0.0
Manufacturer Name	SKF
Minimum Buy Quantity	N/A



Shanghai Ruonan-Power Co., Ltd.

Weight / Kilogram	0
EAN	7316572541371
Product Group	B00308
Enclosure	2 Seals
Precision Class	ABEC 1 ISO P0
Maximum Capacity / Filling Slot	No
Rolling Element	Ball Bearing
Snap Ring	No
Internal Special Features	No
Cage Material	Stainless Steel
Enclosure Type	Contact Seal
Internal Clearance	C0-Medium
Inch - Metric	Metric
Long Description	30MM Bore; 47MM Outside Diameter; 9MM Outer Race Width; 2 Seals; Ball Bearing; ABEC 1 ISO P0; No Filling Slot; No Snap Ring; No Internal Special Features; C0-Medium Internal Clearance; Stainless Ste
Other Features	Deep Groove NBR Seal
Category	Single Row Ball Bearing
UNSPSC	31171504
Harmonized Tariff Code	8482.10.50.68
Noun	Bearing
Keyword String	Ball
Manufacturer URL	http://www.skf.com
Manufacturer Item Number	W 61906-2RS1
Weight / LBS	0.111
Outside Diameter	1.85 Inch 47 Millimeter
Bore	1.181 Inch 30 Millimeter
Inner Race Width	0 Inch 0 Millimeter



Shanghai Ruonan-Power Co., Ltd.

Outer Race Width	0.354 Inch 9 Millimeter
d_1	35.1 mm
D_2	44.08 mm
$r_{1,2}$ min.	0.3 mm
d_a min.	32 mm
d_a max.	35 mm
D_a max.	45 mm
r_a max.	0.3 mm
Basic dynamic load rating C	6.24 kN
Basic static load rating C_0	5 kN
Fatigue load limit P_u	0.212 kN
Calculation factor k_r	0.025
Calculation factor f_0	15.8
Mass bearing	0.047 kg