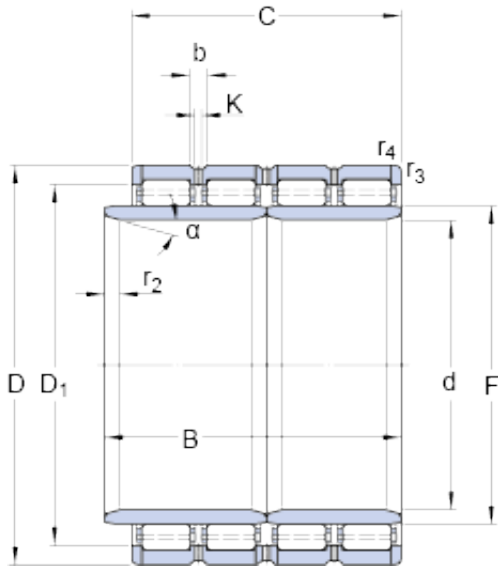




# Shanghai Ruonan-Power Co., Ltd.



## 820 mm x 1100 mm x 745 mm SKF BC4B 316341/HA4 cylindrical roller bearings

Bearing No. BC4B 316341/HA4

BC4B 316341/HA4 Bearing 2D drawings and 3D CAD models

Size	1100x820x745 mm
Bore Diameter	1100 mm
Outer Diameter	820 mm
Width	745 mm
d	820 mm
D	1100 mm
B	745 mm
C	720 mm
D <sub>1</sub>	1010 mm
D <sub>1</sub>	1010 mm
F	892 mm
b	44 mm
K	20 mm
r <sub>1,2</sub> - min.	23 mm
	20 °
r <sub>3,4</sub> - min.	7.5 mm
Basic dynamic load rating - C	16800 kN
Basic static load rating - C <sub>0</sub>	57000 kN
Fatigue load limit - P <sub>u</sub>	3750 kN
Calculation factor - k <sub>r</sub>	620
Mass bearing	2000 kg
Design variant/feature	BC4.19/W33WI
D <sub>1</sub>	1010 mm
r <sub>1,2</sub> min.	22 mm



## Shanghai Ruonan-Power Co., Ltd.

	20 °
$r_{3,4}$ min.	3 mm
Basic dynamic load rating C	21200 kN
Basic static load rating $C_0$	57000 kN
Fatigue load limit $P_u$	3750 kN
Calculation factor $k_r$	0