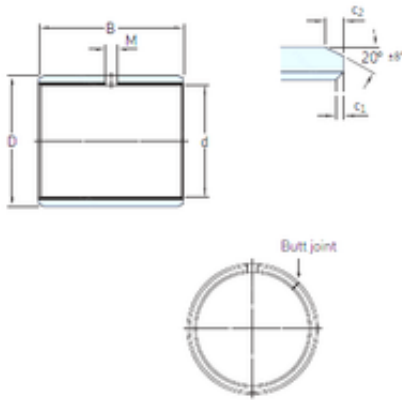




# Shanghai Ruonan-Power Co., Ltd.

## 31.75 mm x 35,719 mm x 44,45 mm SKF PCZ 2028 M plain bearings



Bearing No. PCZ 2028 M

Size	31.75x35.719x44.45 mm
Bore Diameter	31.75 mm
Outer Diameter	35,719 mm
Width	44,45 mm
d	31.75 mm
D	35,719 mm
B	44,45 mm
c1 min	0,1 mm
c2 min	0,8 mm
M	4 mm
Weight	0,063 Kg
Basic dynamic load rating (C)	166 kN
c <sub>1</sub> min.	0.1 mm
c <sub>1</sub> max.	0.7 mm
c <sub>2</sub> min.	0.8 mm
c <sub>2</sub> max.	1.6 mm
± 8	20 °
Shaft diameter range min.	31.422 mm
Shaft diameter range max.	31.463 mm
Housing bore range min.	35.72 mm
Housing bore range max.	35.743 mm
Basic dynamic load rating - radial direction C	166 kN
Basic static load rating - radial direction C <sub>0</sub>	345 kN

PCZ 2028 M Bearing 2D drawings and 3D CAD models



## Shanghai Ruonan-Power Co., Ltd.

Specific dynamic load factor K	120 N/mm <sup>2</sup>
Specific static load factor K <sub>0</sub>	250 N/mm <sup>2</sup>
Factor depending on material and bearing type K <sub>M</sub>	1900
Permissible sliding velocity v min.	0 m/s
Permissible sliding velocity v max.	2.5 m/s
Coefficient of friction $\mu$ min.	0.02
Coefficient of friction $\mu$ max.	0.2
Mass bushing	0.063 kg