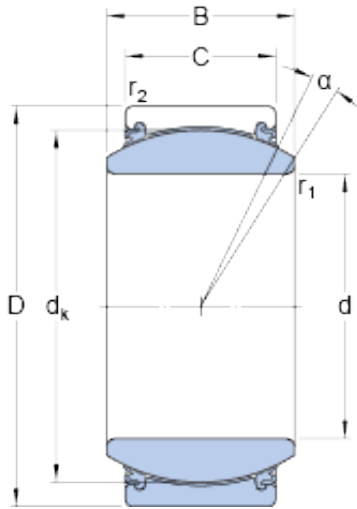




# Shanghai Ruonan-Power Co., Ltd.



GEZ 200 TXE-2LS Bearing 2D drawings and 3D CAD models

## 50.8 mm x 80.963 mm x 44.45 mm SKF GEZ 200 TXE-2LS plain bearings

Bearing No. GEZ 200 TXE-2LS

Size	80.963x50.8x44.45 mm
Bore Diameter	80,963 mm
Outer Diameter	50,8 mm
Width	44,45 mm
d	50.8 mm
D	80.963 mm
B	44.45 mm
C	38.1 mm
	6 °
d <sub>k</sub>	73.025 mm
r <sub>1</sub> - min.	0.6 mm
r <sub>2</sub> - min.	1 mm
d <sub>a</sub> - min.	55.4 mm
d <sub>a</sub> - max.	57.9 mm
D <sub>a</sub> - min.	72.4 mm
D <sub>a</sub> - max.	74.9 mm
r <sub>a</sub> - max.	0.6 mm
r <sub>b</sub> - max.	1 mm
Basic dynamic load rating - C	335 kN
Basic static load rating - C <sub>0</sub>	670 kN
Specific factor dinamic load - K	150 N/mm <sup>2</sup>
Specific factor static load - K <sub>0</sub>	300 N/mm <sup>2</sup>
Category	Spherical Plain Bearings -



## Shanghai Ruonan-Power Co., Ltd.

	Radial
Inventory	0.0
Manufacturer Name	SKF
Minimum Buy Quantity	N/A
Weight / Kilogram	0.929
EAN	7316575128593
Product Group	B04264
Component	Complete with Outer and Inner Ring
Self Aligning	Yes
Rolling Element	Spherical Plain Bearing
Material - Outer Member	Steel
Material - Ball	Steel
Material - Liner	PTFE
Relubricatable	No
Enclosure	2 Seals
Other Features	2 Piece   Chrome Plated Ball   Triple Lip Seals   Self Lubricating
Long Description	2" Bore; 1-1/2" Housing Width; 3-3/16" Outside Diameter; Complete with Outer and Inner Ring; Self Aligning; Spherical Plain Bearing; Steel Outer Member; Steel Ball; PTFE Liner; 2 Seals;
Inch - Metric	Inch
Category	Plain Bearings Spherical Radial
UNSPSC	31171515
Harmonized Tariff Code	8483.30.80.70
Noun	Bearing
Keyword 3	Spherical
Keyword String	Plain Radial Spherical
Manufacturer URL	<a href="http://www.skf.com">http://www.skf.com</a>



## Shanghai Ruonan-Power Co., Ltd.

Manufacturer Item Number	GEZ 200 TXE-2LS
Weight / LBS	2.05
Outside Diameter	3.188 Inch   80.975 Millimeter
Housing Width	1.5 Inch   38.1 Millimeter
Bore	2 Inch   50.8 Millimeter
Overall Width	1.75 Inch   44.45 Millimeter
bore diameter:	2.0000 in
outer ring width:	1.5000 in
outside diameter:	3.1875 in
radial static load capacity:	670 kN
misalignment angle:	6 °
radial dynamic load capacity:	335 kN
inner ring width:	1.7500 in
operating temperature range:	-55 to 110 ° C ° F ° F
bearing type:	Radial
overall width:	1.7500 in
lubrication type:	Maintenance Free/Self- Lubricating
weight:	2.01 lbs
closure type:	Triple Lip Seals
manufacturer product page:	<a href="#">Click here</a>
outer ring material:	Steel
manufacturer upc number:	7316575128593
inner ring material:	PTFE Fabric
Lubricant	Maintenance free – dry lubrication
Design (sliding contact surface combination)	Steel/PTFE fabric
Sealing solution	Triple-lip seals
	6 °
d <sub>k</sub>	73.025 mm



## Shanghai Ruonan-Power Co., Ltd.

$r_1$ min.	0.6 mm
$r_2$ min.	1 mm
$d_a$ min.	55.4 mm
$d_a$ max.	57.9 mm
$D_a$ min.	72.4 mm
$D_a$ max.	74.9 mm
$r_a$ max.	0.6 mm
$r_b$ max.	1 mm
Basic dynamic load rating C	335 kN
Basic static load rating $C_0$	670 kN
Specific dynamic load factor K	150 N/mm <sup>2</sup>
Specific static load factor $K_0$	300 N/mm <sup>2</sup>
Mass plain bearing	0.91 kg