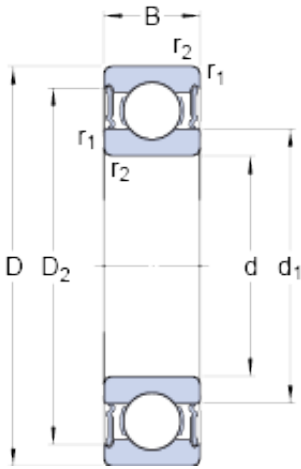




Shanghai Ruonan-Power Co., Ltd.



50 mm x 65 mm x 7 mm SKF 61810-2RS1 deep groove ball bearings

Bearing No. 61810-2RS1

61810-2RS1 Bearing 2D drawings and 3D CAD models

Size	65x50x7 mm
Bore Diameter	65 mm
Outer Diameter	50 mm
Width	7 mm
d	50 mm
D	65 mm
B	7 mm
d ₁	55.1 mm
D ₂	61.8 mm
r _{1,2} - min.	0.3 mm
d _a - min.	52 mm
d _a - max.	55 mm
D _a - max.	63 mm
r _a - max.	0.3 mm
Basic dynamic load rating - C	6.8 kN
Basic static load rating - C ₀	6.8 kN
Fatigue load limit - P _u	0.285 kN
Limiting speed	6000 r/min
Calculation factor - k _r	0.015
Calculation factor - f ₀	17.2
Category	Single Row Ball Bearings
Inventory	0.0
Manufacturer Name	SKF
Minimum Buy Quantity	N/A



Shanghai Ruonan-Power Co., Ltd.

Weight / Kilogram	0.062
EAN	7316577611574
Product Group	B00308
Enclosure	2 Seals
Precision Class	ABEC 1 ISO P0
Maximum Capacity / Filling Slot	No
Rolling Element	Ball Bearing
Snap Ring	No
Internal Special Features	No
Cage Material	Steel
Enclosure Type	Contact Seal
Internal Clearance	C0-Medium
Inch - Metric	Metric
Long Description	50MM Bore; 65MM Outside Diameter; 7MM Outer Race Diameter; 2 Seals; Ball Bearing; ABEC 1 ISO P0; No Filling Slot; No Snap Ring; No Internal Special Features
Category	Single Row Ball Bearing
UNSPSC	31171504
Harmonized Tariff Code	8482.10.50.68
Noun	Bearing
Keyword String	Ball
Manufacturer URL	http://www.skf.com
Manufacturer Item Number	61810 2RS1
Weight / LBS	0.14
Outer Race Width	0.276 Inch 7 Millimeter
Bore	1.969 Inch 50 Millimeter
Outside Diameter	2.559 Inch 65 Millimeter
bore diameter:	50 mm
static load capacity:	6.8 kN



Shanghai Ruonan-Power Co., Ltd.

outside diameter:	65 mm
precision rating:	Not Rated
overall width:	7 mm
finish/coating:	Uncoated
bore type:	Round
cage material:	Steel
closure type:	Double Sealed
outer ring width:	7 mm
row type & fill slot:	Single Row Non-Fill Slot
fillet radius:	0.3 mm
internal clearance:	C0
maximum rpm:	6000 RPM
operating temperature range:	-40 to +210 ° F
series:	61
dynamic load capacity:	6.76 kN
d_1	54.67 mm
D_2	61.8 mm
$r_{1,2}$ min.	0.3 mm
d_a min.	52 mm
d_a max.	55 mm
D_a max.	63 mm
r_a max.	0.3 mm
Basic dynamic load rating C	6.76 kN
Basic static load rating C_0	6.8 kN
Fatigue load limit P_u	0.285 kN
Calculation factor k_r	0.015
Calculation factor f_0	17.2
Mass bearing	0.052 kg