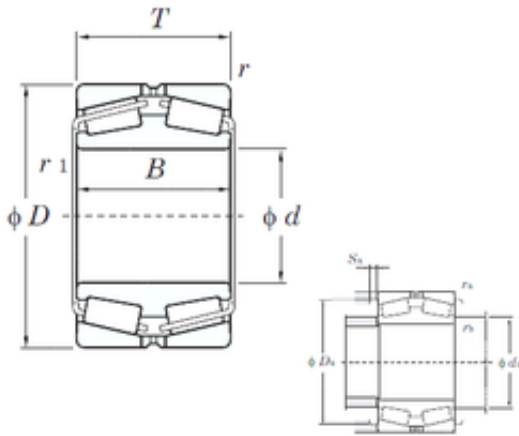




# Shanghai Ruonan-Power Co., Ltd.

340 mm x 580 mm x 190 mm KOYO 45368 tapered roller bearings

Bearing No. 45368



45368 Bearing 2D drawings and 3D CAD models

Size	340x580x190 mm
Bore Diameter	340 mm
Outer Diameter	580 mm
Width	190 mm
d	340 mm
D	580 mm
T	190 mm
B	190 mm
r min.	5 mm
r1 min.	6 mm
da max	401 mm
Db min.	515 mm
ra max.	4 mm
rb max.	5 mm
Db max	558 mm
Weight	202 Kg
Basic dynamic load rating (C)	3290 kN
Basic static load rating (C0)	5470 kN
(Grease) Lubrication Speed	390 r/min
(Oil) Lubrication Speed	510 r/min
Calculation factor (e)	0,32
Calculation factor (Y0)	2,07
Bearing No.	45368
r(min)	5
r1(min)	6



## Shanghai Ruonan-Power Co., Ltd.

Cr	3790
C0r	5470
Cu	269
Grease lub.	390
Oil lub.	510
da(max)	401
Da(max)	558
Da(min)	515
Sa(min)	6
ra(max)	4
rb(max)	5
e	0.32
Y2	2.12
Y3	3.15
Y0	2.07
(Refer.) Mass(kg)	202