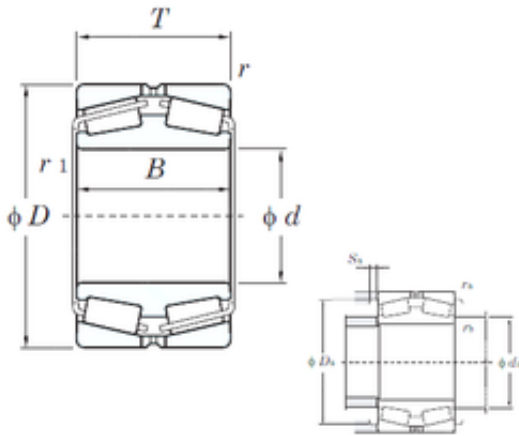




Shanghai Ruonan-Power Co., Ltd.

190 mm x 290 mm x 75 mm KOYO 45238 tapered roller bearings



Bearing No. 45238

45238 Bearing 2D drawings and 3D CAD models

Size	190x290x75 mm
Bore Diameter	190 mm
Outer Diameter	290 mm
Width	75 mm
d	190 mm
D	290 mm
T	75 mm
B	75 mm
r min.	2,5 mm
r1 min.	3 mm
da max	219 mm
Db min.	260 mm
ra max.	2 mm
rb max.	2,5 mm
Db max	278 mm
Weight	17,7 Kg
Basic dynamic load rating (C)	599 kN
Basic static load rating (C0)	1130 kN
(Grease) Lubrication Speed	900 r/min
(Oil) Lubrication Speed	1200 r/min
Calculation factor (e)	0,26
Calculation factor (Y0)	2,5
Bearing No.	45238
r(min)	2.5
r1(min)	3



Shanghai Ruonan-Power Co., Ltd.

Cr	751
C0r	1130
Cu	66.3
Grease lub.	900
Oil lub.	1200
da(max)	219
Da(max)	278
Da(min)	260
Sa(min)	5
ra(max)	2
rb(max)	2.5
e	0.26
Y2	2.55
Y3	3.80
Y0	2.50
(Refer.) Mass(kg)	17.7