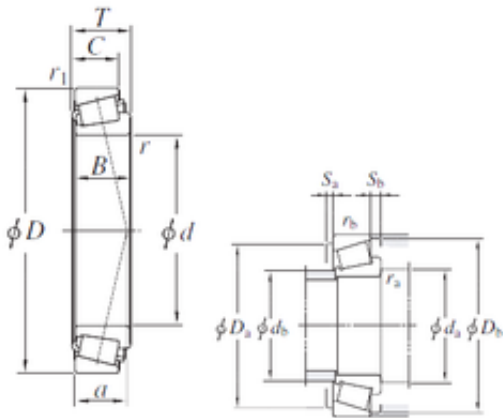




Shanghai Ruonan-Power Co., Ltd.

109,987 mm x 159,987 mm x 34,925 mm KOYO
LM522548/LM522510 tapered roller bearings

Bearing No. LM522548/LM522510



LM522548/LM522510 Bearing 2D drawings and 3D CAD models

Size	109.987x159.987x34.925 mm
Bore Diameter	109,987 mm
Outer Diameter	159,987 mm
Width	34,925 mm
d	109,987 mm
D	159,987 mm
T	34,925 mm
B	34,925 mm
C	26,988 mm
a	32,9 mm
r min.	7,9 mm
r1 min.	3,2 mm
r2 min.	3,2 mm
da min.	131 mm
Da min	146 mm
Da max.	148 mm
Da	146 mm
db max.	121 mm
db min	118 mm
ra max.	7,9 mm
rb max.	3,2 mm
Db	153 mm
Weight	2,3 Kg
Basic dynamic load rating (C)	184 kN



Shanghai Ruonan-Power Co., Ltd.

Basic static load rating (C0)	319 kN
(Grease) Lubrication Speed	2200 r/min
(Oil) Lubrication Speed	2900 r/min
Calculation factor (e)	0,4
Calculation factor (Y0)	0,82